

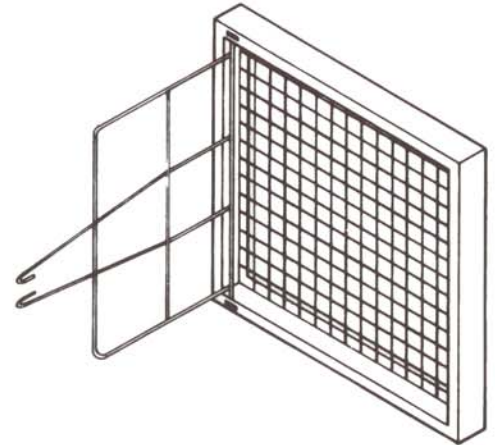
TRI-MET HOLDING FRAMES

Filter Pad Holding Frames

TYPE TMZ

- Service frame — designed for commercial and industrial applications
- Designed to hold filter pads.
- Hinged, galvanized wire door designed to retain filter pads
- Low initial cost
- Non-standard sizes available up to 2,000 sq. inches

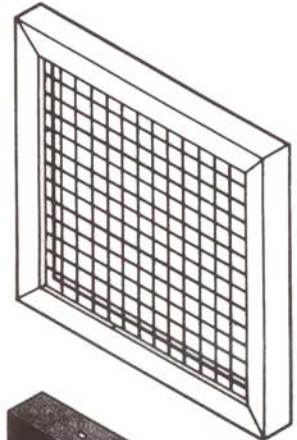
STANDARD SIZES	
1" THICK	2" THICK
15½ x 19½	15½ x 19½
15½ x 24½	15½ x 24½
19½ x 19½	19½ x 19½
19½ x 24½	19½ x 24½
19½ x 23½	19½ x 23½
11½ x 23½	11½ x 23½
23½ x 23½	23½ x 23½



TYPE TMT

- Service frame — designed for commercial and industrial applications
- Designed to hold filter pads
- Tuck-in design holds filter pads in place
- Low initial cost
- Non-standard sizes available up to 2,000 sq. inches

STANDARD SIZES	
1" THICK	2" THICK
15½ x 19½	15½ x 19½
15½ x 24½	15½ x 24½
19½ x 19½	19½ x 19½
19½ x 24½	19½ x 24½
19½ x 23½	19½ x 23½
11½ x 23½	11½ x 23½
23½ x 23½	23½ x 23½



FILTER HOLDING FRAMES, "L" TYPE

- Modular design for easy installation into filter banks
- 16 Gauge roll formed galvanized steel
- Pre-punched holes in sides mate precisely for quick assembly by riveting or bolting
- Available with gasketing on inside flanges
- Strong well designed filter clips for all sizes

ACTUAL DEPTH	STANDARD SIZES AVAILABLE					
	ACTUAL DIMENSIONS WIDTH (INCHES) X HEIGHT (INCHES)					
2"	12 x 24	24 x 24	16 x 20	16 x 25	20 x 20	20 x 25
3"	12 x 24	24 x 24	16 x 20	16 x 25	20 x 20	20 x 25
4"	12 x 24	24 x 24	16 x 20	16 x 25	20 x 20	20 x 25
6"	12 x 24	24 x 24	16 x 20	16 x 25	20 x 20	20 x 25

