

SAFETY DISCONNECT HANDLE



The ergonomic handle for safe operation of
your exhaust removal system

SAFETY DISCONNECT HANDLE

Plymovent offers a safe solution for operating an exhaust removal system in emergency stations. Designed for functionality and efficiency, the safety disconnect handle is easy to use and represents the next step in safety disconnects. With an uninterrupted airflow through the exhaust removal hose, the exhaust gases are carried out of the breathing zone with maximum efficiency.

FUNCTIONAL DESIGN

The safety disconnect handle is ergonomically-designed for ease of use. The round handle has large grips so that it can be operated even while wearing gloves and can be reached from any angle. The user does not have to bend over to connect the exhaust removal system, thus limiting the risk of exposure to exhaust gases.

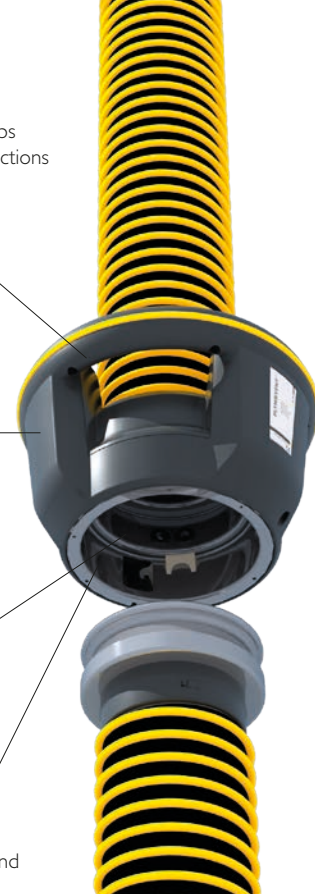
The safety disconnect handle is patent pending and was designed with its function in mind. The inside is made of durable steel to withstand high-temperature exhaust gases, while the outside is made of engineered plastics. When operating a pneumatic system, the integrated pneumatic valve is shielded and positioned to allow its simple operation. The safety disconnect handle for a magnetic system does not include the valve, but it does offer benefits like easy operation of the system and the safety disconnect function.

Ergonomic in use and operation, with large grips and easy-to-operate functions

Made of 'scratch-safe' materials resistant to high temperatures

Uninterrupted airflow through the hose

Available for magnetic and pneumatic systems



PLYMOVENT SOURCE CAPTURE SYSTEMS: AN INDUSTRY STANDARD

The safety disconnect handle can be integrated with Plymovent's pneumatic and magnetic exhaust removal systems. A Plymovent system enables you to remove dangerous exhaust gases efficiently, saving you money and assuring clean air at the workplace.

Our philosophy is to provide quality systems that are safe, user-friendly and code-compliant and that will enhance quality of life for your fire fighters and personnel. That is why we have developed a line of source capture systems designed to meet your station's needs.

Plymovent Corp. is ISO 9001:2008 certified.



PLYMOVENT[®]
clean air at work

Plymovent Corp.
115 Melrich Road
Cranbury, NJ 08512
USA

T +1 800 644 0911
T +1 609 395 3500
F +1 609 655 0569
E info.usa@plymovent.com

 facebook.com/plymoventusa

 @plymoventusa

Plymovent reserves the right to make design changes.

BRO_SDCH_Letter_EN

www.plymovent.com

*Plymovent cares about the air you breathe.
We offer products, systems and services which
ensure clean air at work, anywhere in the world.*

*We respect the environment and we deliver
high-quality products. Our expertise gained over
many years and our genuine commitment to
customer requirements enable us to provide
precisely the solutions you need.*